

# 48W Series Power Supply

**Q36C-Wall Mount Type**  
9-54V 3.33A MAX. 48W



**SAFETY APPROVALS** | UL, TUVGS, CE, CB, FCC, UKCA

## FEATURES

100-240VAC Universal Input  
Meet CEC, Energy Star 3.0 (EPA/DOE—Level VI)  
3 Years Warranty

Model	O/P Voltage	O/P Current	Watt	Model	O/P Voltage	O/P Current	Watt
Q36C-090003000	9.0V	3A	27W	Q36C-190002100	19.0V	2.1A	40W
Q36C-120003330	12.0V	3.33A	40W	Q36C-240001750	24.0V	1.75A	42W
Q36C-150003000	15.0V	3A	45W	Q36C-300001500	30.0V	1.5A	45W
Q36C-180002500	18.0V	2.5A	45W	Q36C-480001000	48.0V	1A	48W

## INPUT CHARACTERISTICS

Rated Input Voltage ..... 100-240V AC  
 Rated Frequency ..... 50/60Hz  
 Steady AC Current ..... 1.1A (Max) Measured at 100Vac input and maximum load  
 Inrush Current ..... Less than 50A  
 Empty Loaded Wasting ..... 75mW

## SAFETY STANDARDS

LVD ..... UL62368-1/UL60950-1 IEC62368-1/IEC60950-1 EN62368-1  
 EMC & EMI ..... EN55032 EN55024 EN61000-3-2 EN61000-3-3

## RELIABILITY ITEMS

Hi-Pot Test ..... AC 3000V1min between input plug-DC plug  
 Leakage Current ..... 0.25mA max at nominal AC input voltage and frequency  
 Temperature Rise ..... Case surface rise 95°C or less

## OUTPUT CHARACTERISTICS

Power ..... 48.5W MAX  
 Load Regulation ..... ±5%  
 Turn on delay time ..... 3s Max at AC 115V, Max output load  
 Hold up time ..... 5ms Min at AC 115V, Max output load  
 Rise up time ..... 40ms Max at AC 115V, Max output load  
 Efficiency ..... Meet CEC, Energy Star 3.0 (EPA/DOE—Level VI)

## PROTECTION

Over Voltage Protection ..... Auto Recovery  
 Short Circuit Protection ..... Auto Recovery  
 Over Current Protection ..... Auto Recovery  
 Protection Class ..... Class II

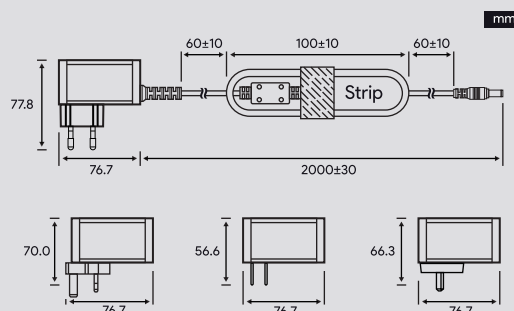
## ENVIRONMENTAL

Operation Temperature ..... -10 °C – 40 °C  
 Storage Temperature ..... -25 °C – 70 °C  
 Operation Humidity ..... 5% (0°C) ~ 90% (40°C)  
 Storage Humidity ..... 5%~ 95%

## MECHANICALS

Cable  
UL1185  
18AWG  
20AWG,  
1750mm

Case Material  
UL94-V1



### Case Dimension

### Weight

EU(V)	L76.7*W77.8*H29.5mm	104g (Ref.)
UK(B)	L76.7*W70.0*H29.5mm	109g (Ref.)
US(U)	L76.7*W56.6*H29.5mm	104g (Ref.)
AU(S)	L76.7*W66.3*H29.5mm	104g (Ref.)